

Sink Stripe

Kitchen Sinks

Code: 4505 050



DETAILS

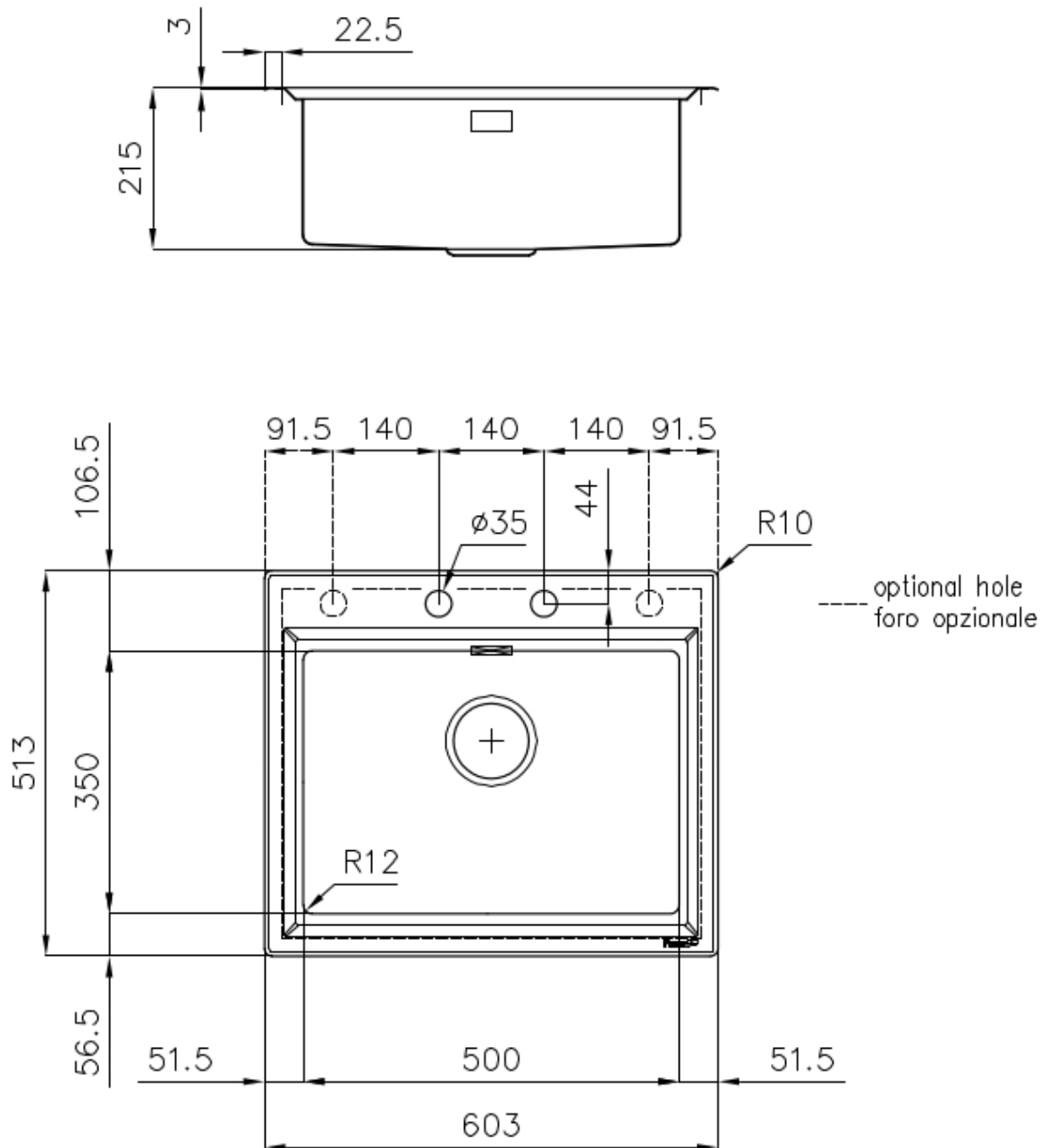
Edge/Installation Type	Flat Edge
Finish	Foster brushed
Material	AISI 304 stainless steel
Texture	Foster brushed
Base	60 cm
Dimensions	603x513 mm
Standard fittings	Fixing hooks, gasket, drain, overflow and siphon, boxed packing
Mixer holes	2 standard holes - 3rd and 4th holes on request
Built-in hole	570x480 mm

Drainer	No
Bowl dimension	500 x 350 mm
Notes:	Preassembled seals
Number of bowls	1 bowl
Waste fitting	Drain with automatic PM control

FEATURES

2nd / 3rd hole available	The sink can be customized with the execution on request of additional holes, usable for double-hole mixers, for remote controlled drains or for the installation of soap dispensers. The positions are marked on the drawings with dotted line holes.
Basket 3,5" waste fitting	The drain is equipped with a large 3.5" drain, with the practical basket cap that prevents the discharge of solid parts.
Deep bowls	This bowls reach an important depth, over 20 cm, thanks to the advanced production technology, that can be offer great capiciency and praticity in all the washing operations.
High thickness	1mm thick steel. A significant thickness, which guarantees the maximum sturdiness and durability.
Perimetral overflow	The overflow is always a security on the Foster sinks that prevents the overflow of water in case of oversights. The perimeter drain solution improves aesthetics thanks to its square and essential shape.
Small radius	Bowls with squared shapes with a modern design and an increased capacity, for a minimal aesthetics connected with an extreme praticity.

TECHNICAL DATA



EQUIPMENT

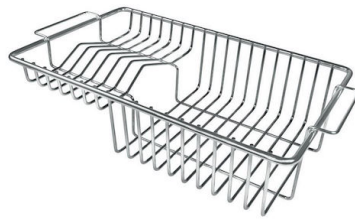


Automatic waste fitting - PM
8407 113

OPTIONAL ACCESSORIES



Iroko-wood chopping board
8643 117



Stainless steel plate rack
8100 305

RECOMMENDED PAIRINGS



Mixer Tap Milanello
8425 100



Mixer Tap NYC
8486 000